

THIS DRAWING IS UNPUBLISHED.

RELEASED FOR PUBLICATION

ALL RIGHTS RESERVED.

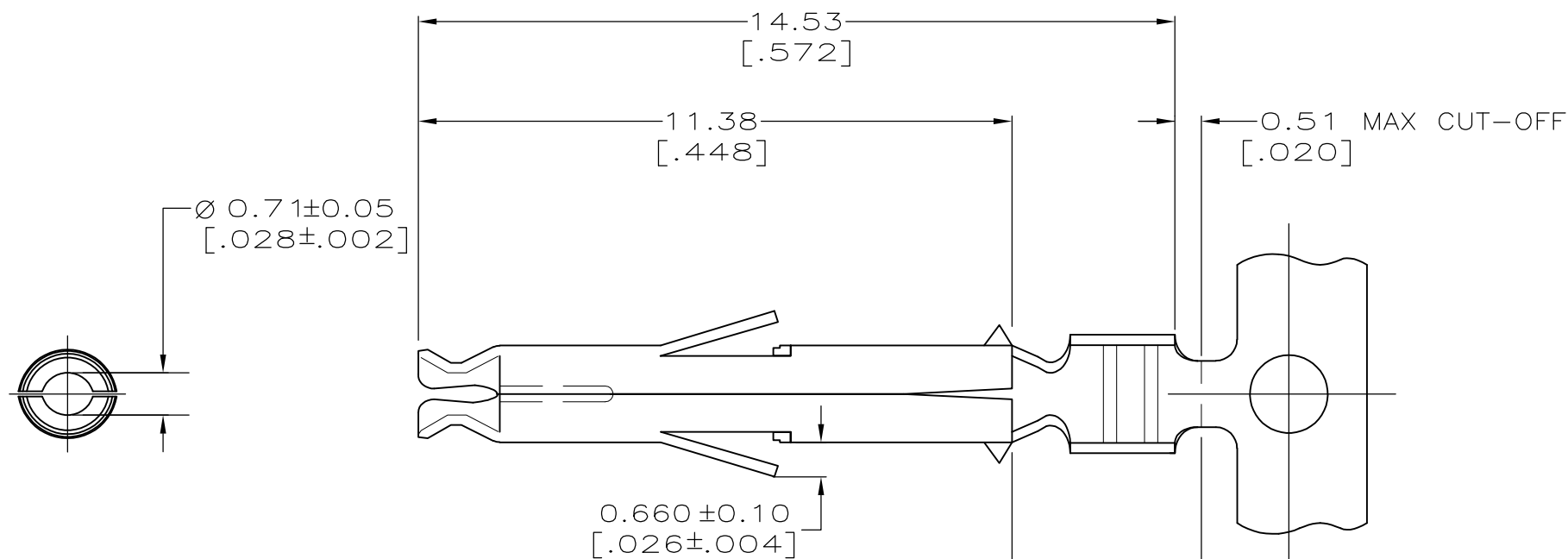
© COPYRIGHT - By -

LOC
CM 00

REVISIONS

P	LTR	DESCRIPTION	DATE	DWN	APVD
E		ECO-13-000901	08MAR2013	MGT	R.P

- 1 WIRE RANGE: 0.3 - 0.9MM² (22-18 AWG).
- 2 INSULATION RANGE: 1.50-2.40[.060-.094] DIA.
- 3 DIMENSIONS IN BRACKETS ARE IN INCHES.
- 4 BOTTOM CONTACT STOP IS OPTIONAL CONSTRUCTION.
- 5 0.000762 [.000030] MIN GOLD IN LOCALIZED GOLD PLATE AREA AND 0.00254 [.000100] MIN BRIGHT TIN LOCALIZED TIN PLATE AREA OVER 0.00127 [.000050] MIN NICKEL.



LOCALIZED TIN AREA



5
1.50
[.059]
LOCALIZED GOLD AREA

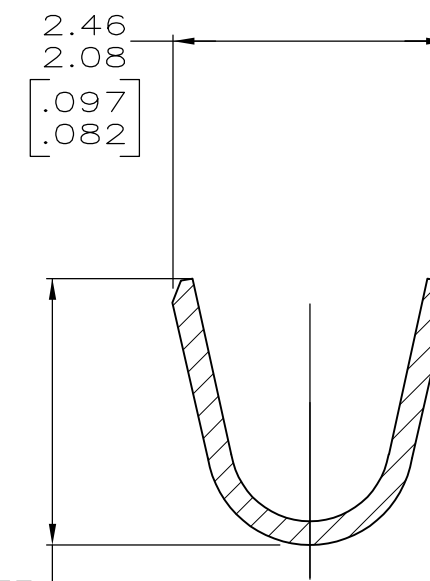


1.93
[.076]

A



A



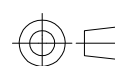
SECTION A-A
SCALE 20:1

5	0.20 [.008] BRASS	794831-3
NONE	0.20 [.008] BRASS	794831-2
PRE-TIN	0.20 [.008] BRASS	794831-1
FINISH	MATERIAL	PART NO

METRIC

THIS DRAWING IS A CONTROLLED DOCUMENT.

DIMENSIONS:
mm [INCHES]



TOLERANCES UNLESS OTHERWISE SPECIFIED:

0 PLC	± -
1 PLC	± -
2 PLC	± 0.13 [.005]
3 PLC	± -
4 PLC	± -
ANGLES	± 0°30'

MATERIAL

FINISH

DWN K. WHITAKER 20FEB2004

CHK C. JONES 20FEB04

APVD C. JONES 20FEB04

PRODUCT SPEC

APPLICATION SPEC

WEIGHT -

CUSTOMER DRAWING

STE TE Connectivity

SOCKET,
MINI UNIVERSAL MATE-N-LOK(TM)

SIZE	CAGE CODE	DRAWING NO	RESTRICTED TO
A3	00779	C-794831	-

SCALE 8:1 SHEET 1 OF 1 REV E